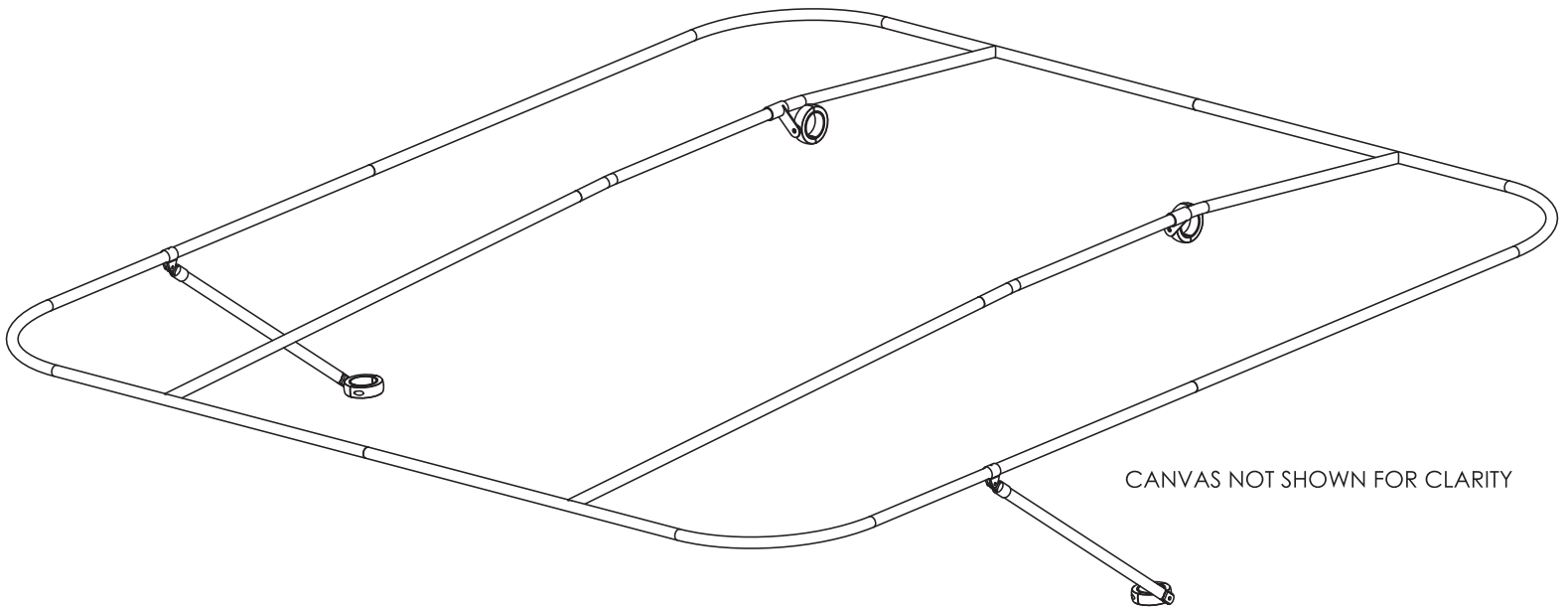




ECLIPSE BIMINI

INSTALLATION GUIDE



DO NOT TRAILER YOUR BOAT WITH BIMINI CANOPY ATTACHED!
DRIVING SPEEDS MAY CAUSE EXCESSIVE STRAIN AND FAILING TO REMOVE IT BEFORE ENTERING
THE ROADWAYS WILL VOID YOUR WARRANTY.

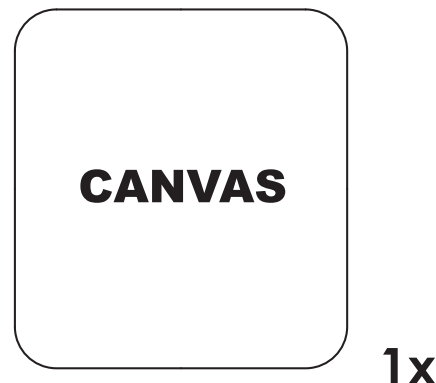
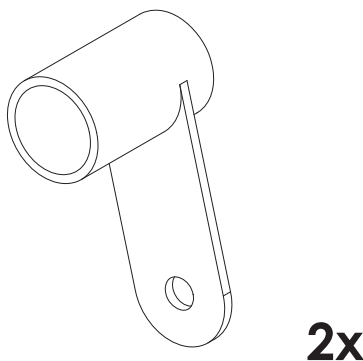
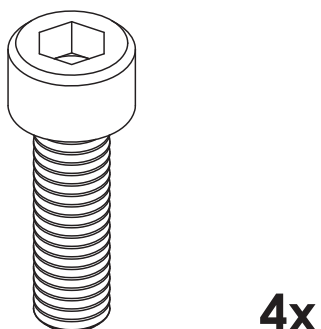
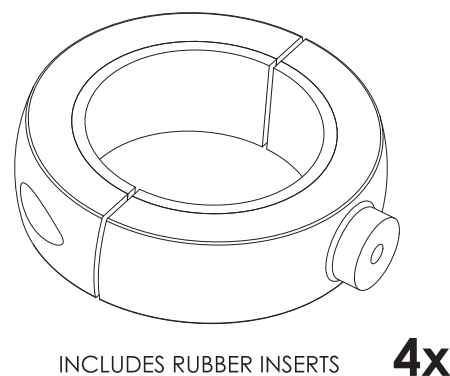
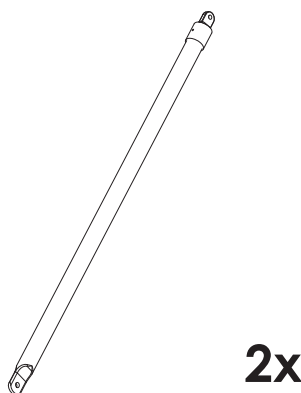
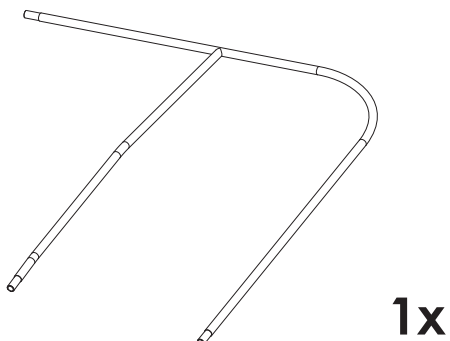
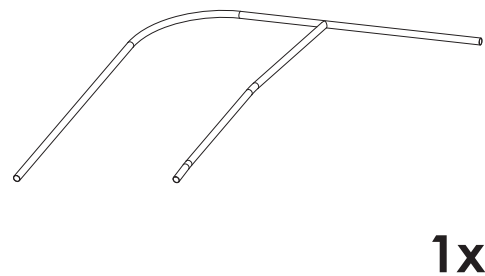
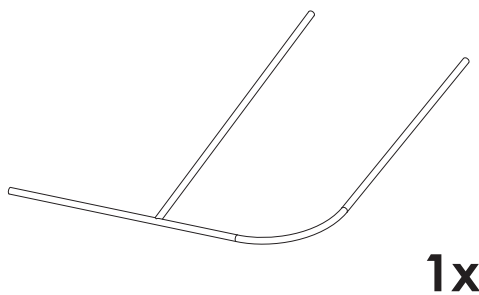
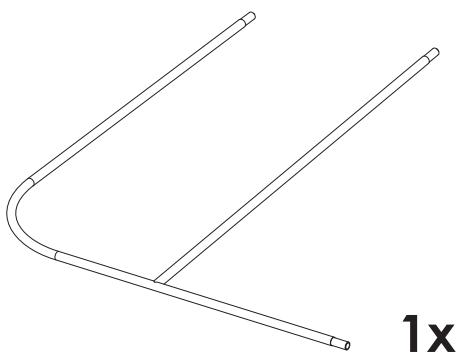
INSTALLATION SUPPORT



WARNING

- * BE SURE TO TIGHTEN ALL FASTENERS AND CONNECTIONS PRIOR TO EVERY USE.
- * DO NOT USE THIS PRODUCT AT SPEEDS OVER 50 MPH
- * DO NO TRAILER YOUR BOAT WITH BIMINI CANOPY ATTACHED! DRIVING SPEEDS MAY CAUSE EXCESSIVE STRAIN AND FAILING TO REMOVE IT BEFORE ENTERING THE ROADWAYS WILL VOID YOUR WARRANTY.

PARTS LIST

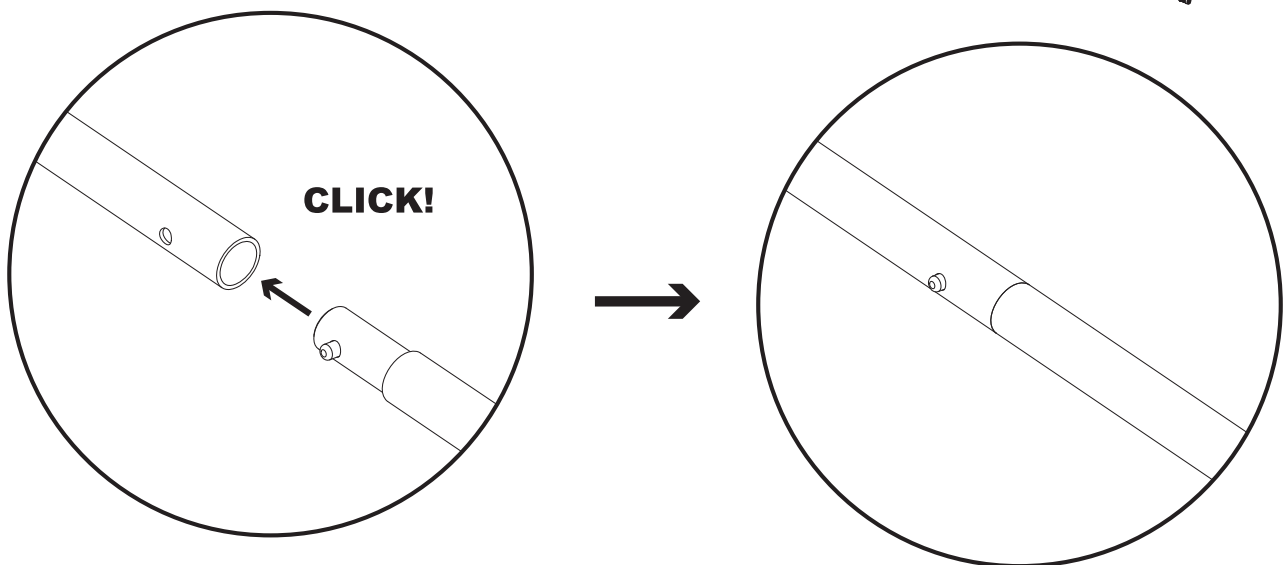
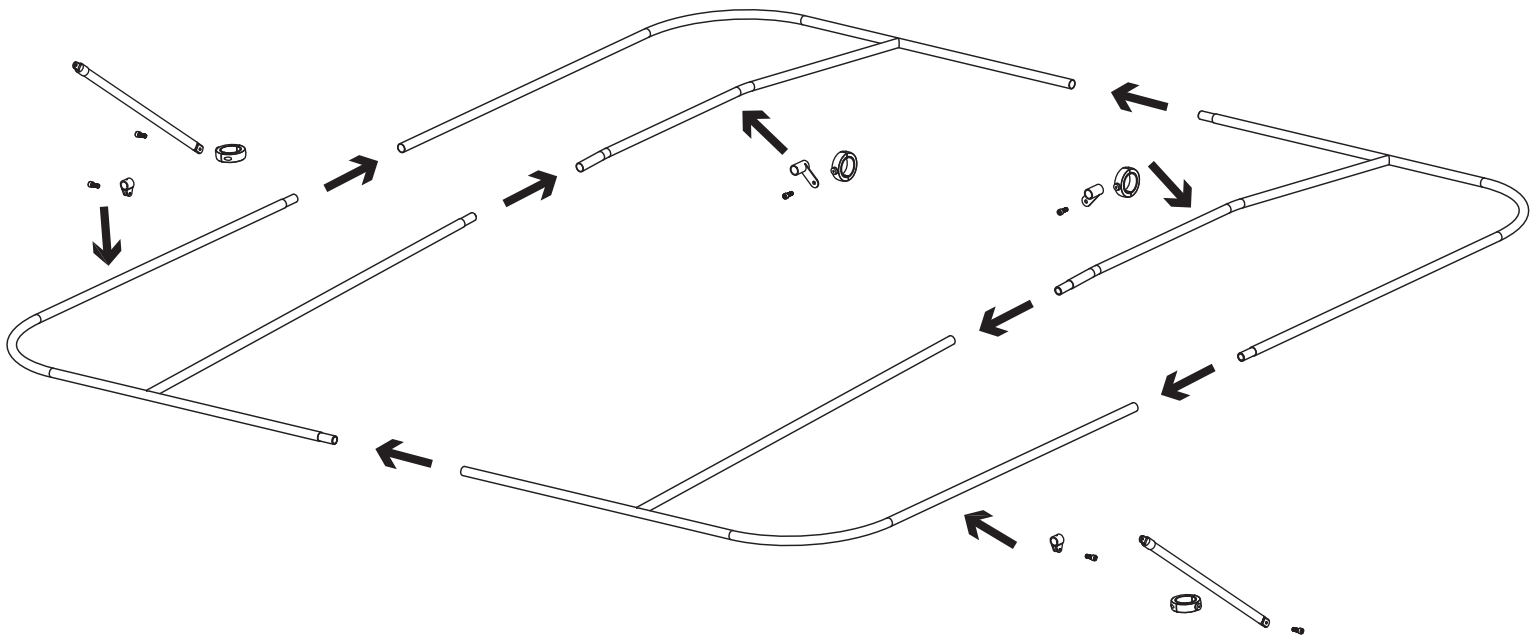


ECLIPSE BIMINI INSTALLATION GUIDE



STEP 1

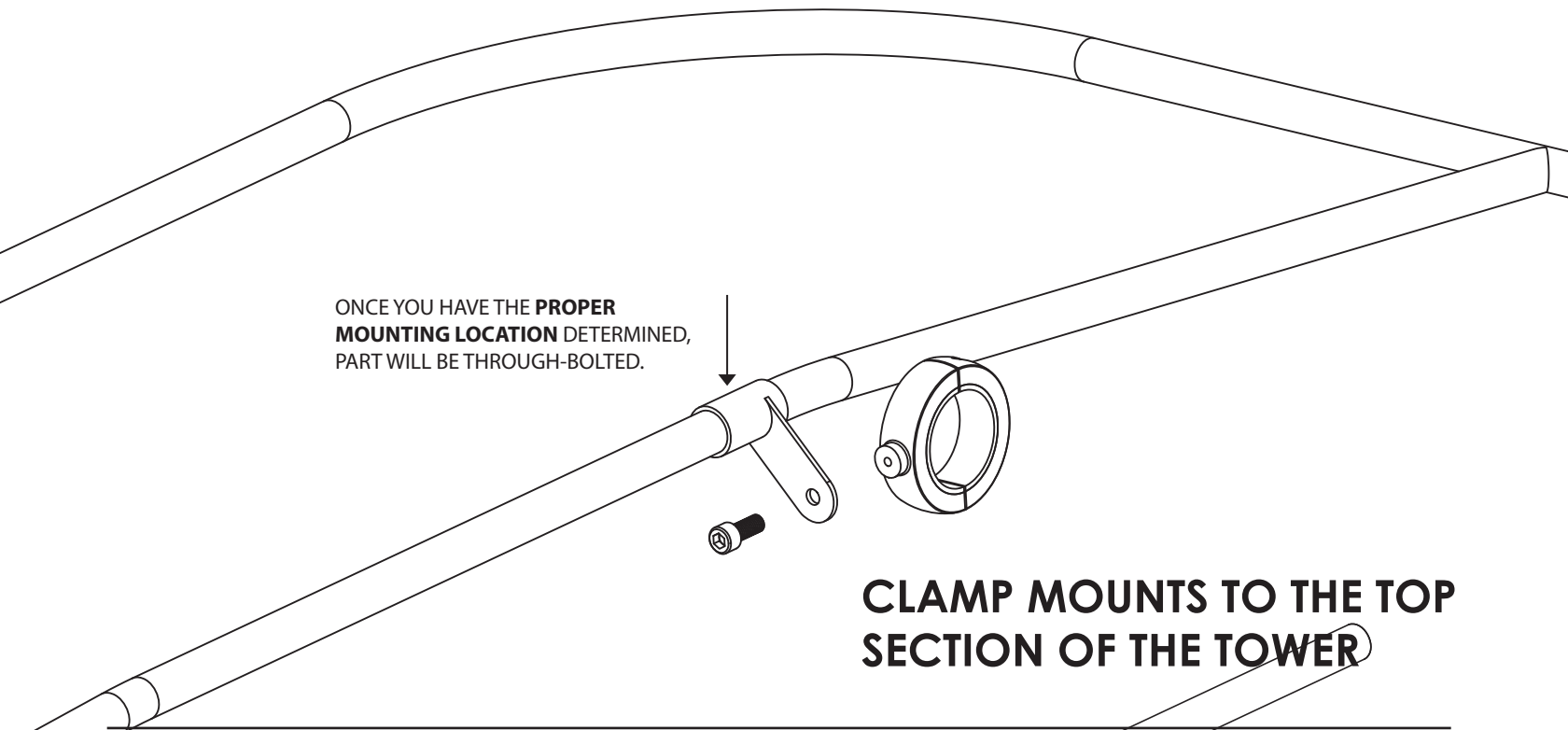
Clamps and mounting hardware must be slid on to tubing before assembling the frame.



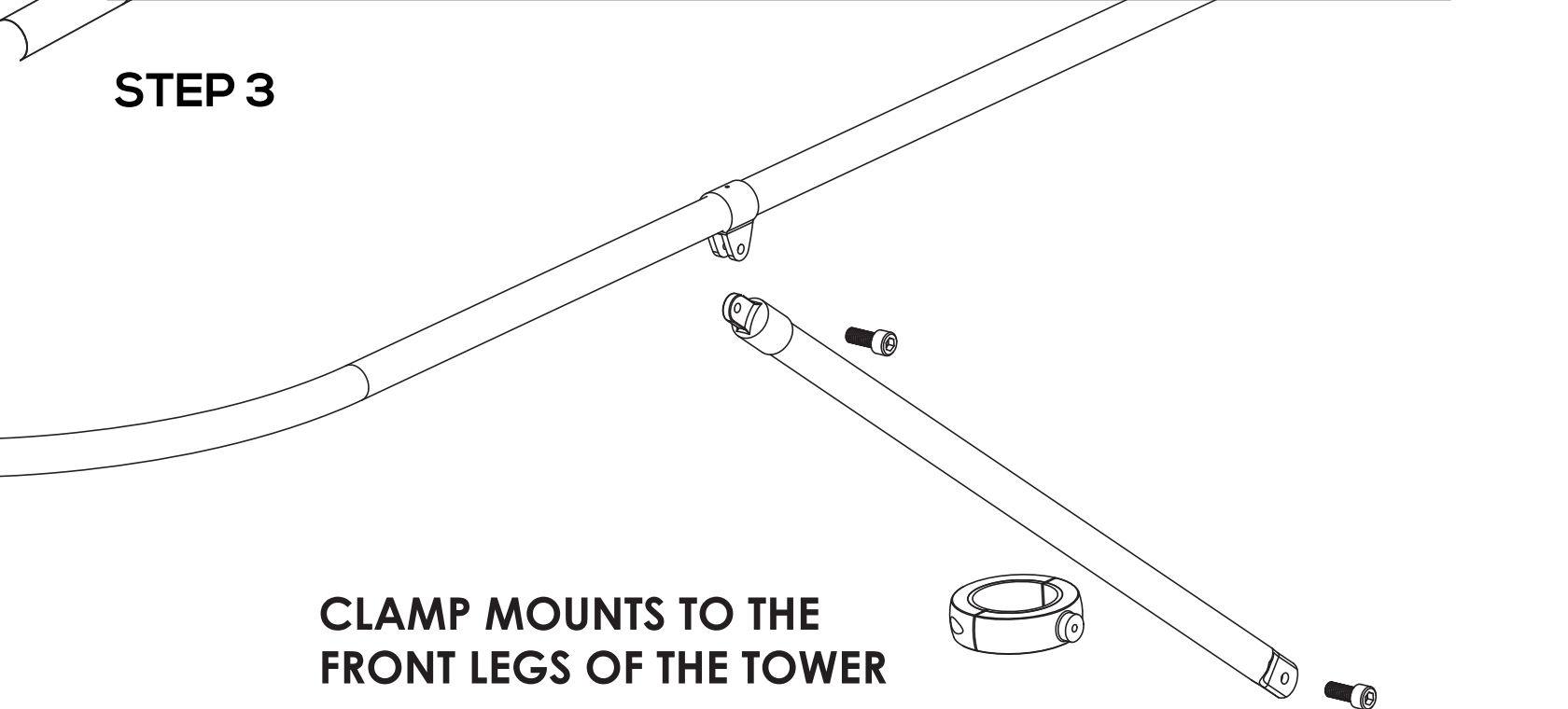
ECLIPSE BIMINI INSTALLATION GUIDE



STEP 2



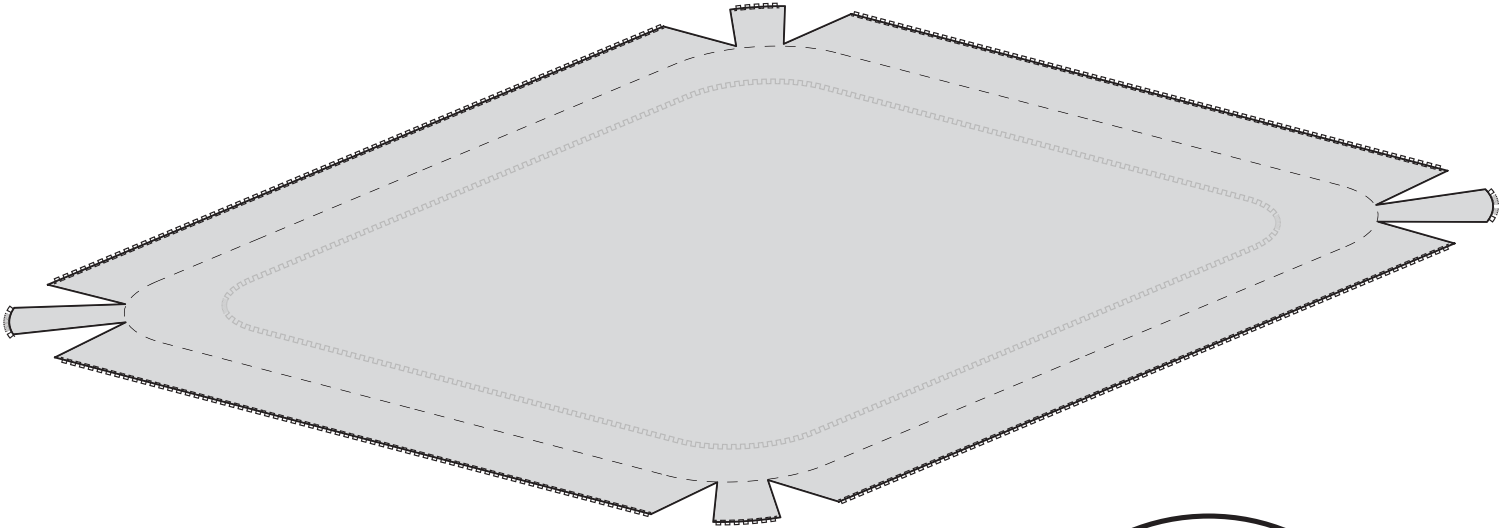
STEP 3



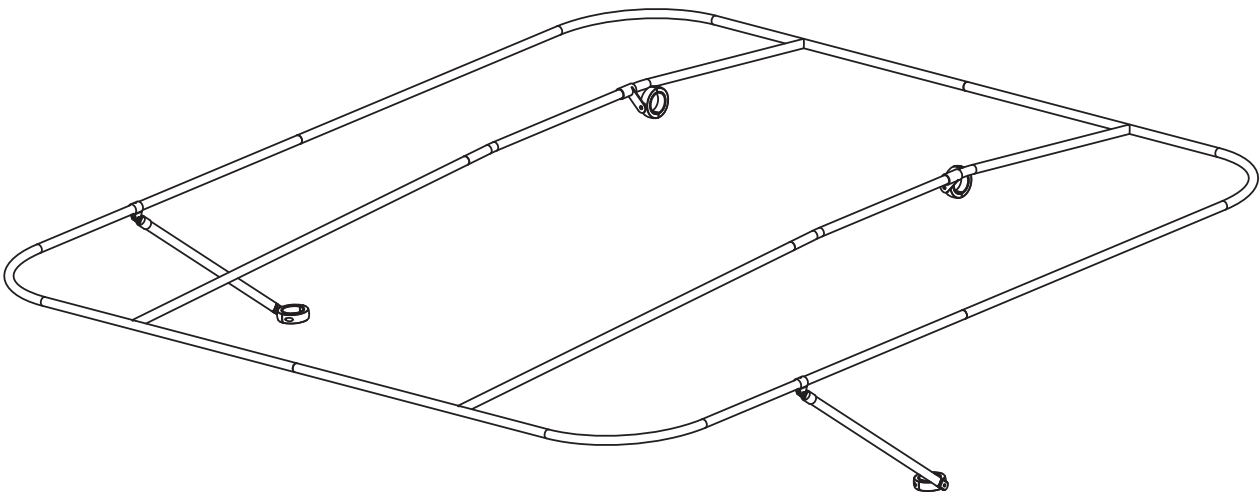
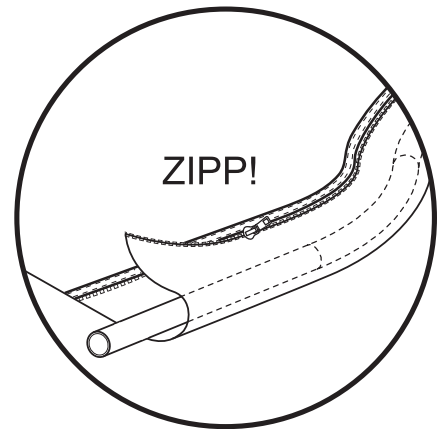
ECLIPSE BIMINI INSTALLATION GUIDE



STEP 4



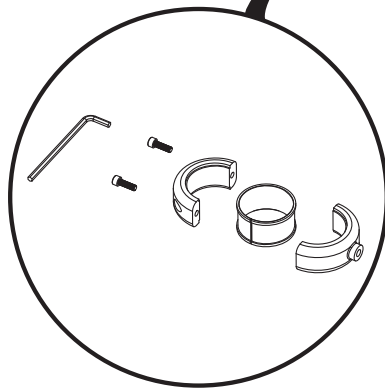
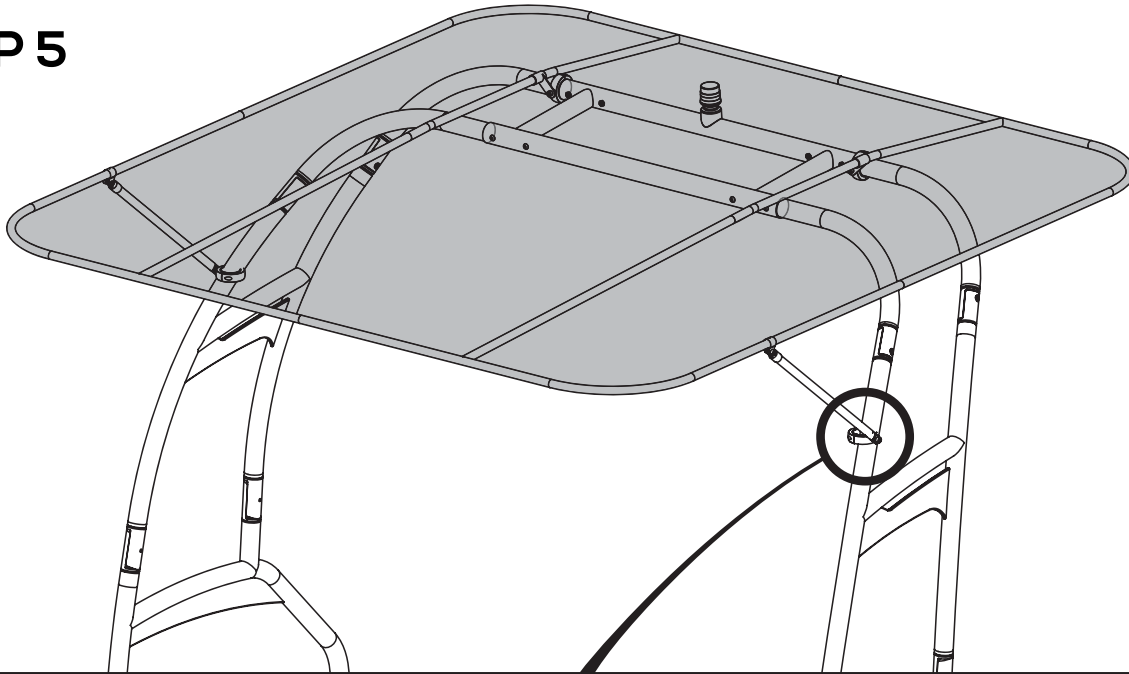
CANVAS



ECLIPSE BIMINI INSTALLATION GUIDE



STEP 5



Questions?



DO NOT TRAILER YOUR BOAT WITH BIMINI CANOPY ATTACHED!
DRIVING SPEEDS MAY CAUSE EXCESSIVE STRAIN AND FAILING TO REMOVE
IT BEFORE ENTERING THE ROADWAYS WILL VOID YOUR WARRANTY.



WWW.AERIALWAKEBOARDING.COM