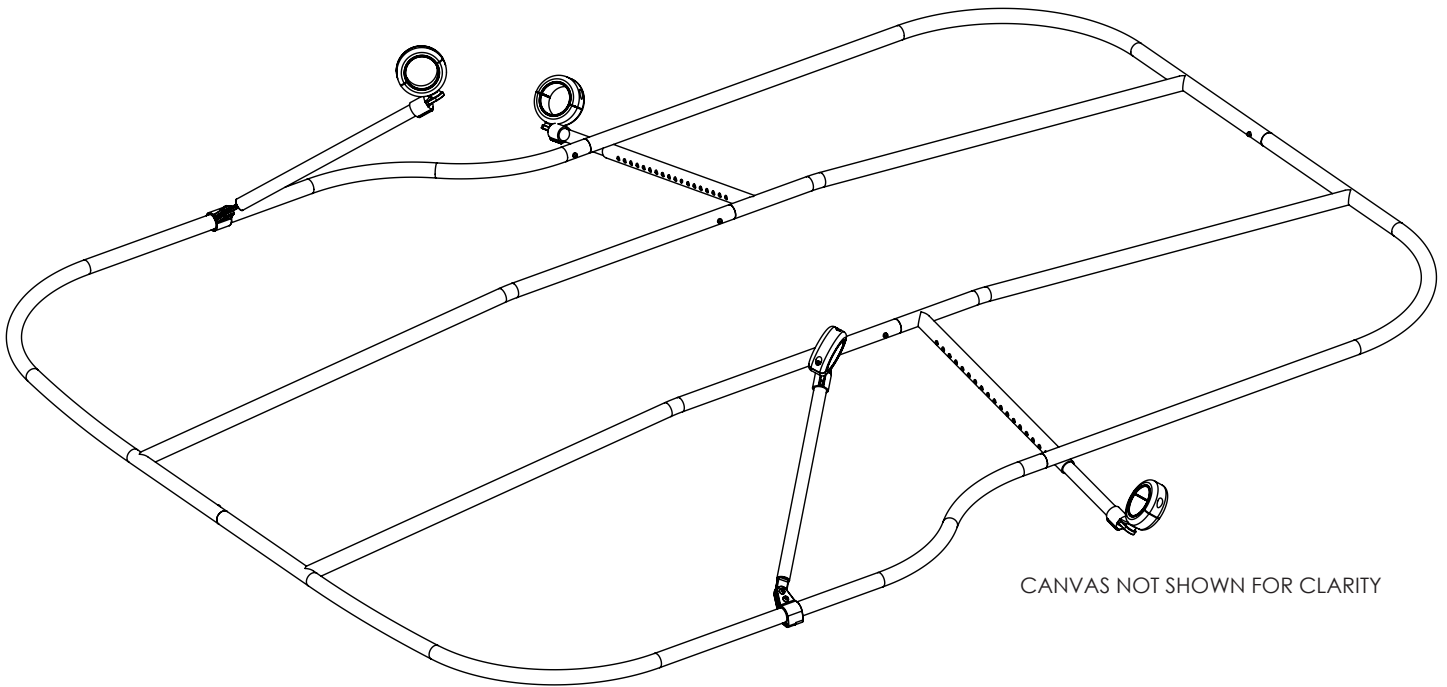




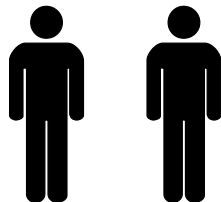
FREERIDE BIMINI

INSTALLATION GUIDE



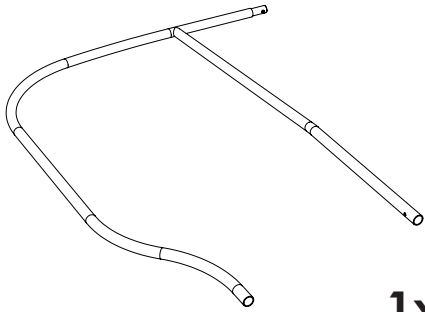
Do not trailer your boat with bimini canopy attached!
Driving speeds may cause excessive strain and failing to remove it before entering the roadways will void your warranty.

INSTALLATION SUPPORT

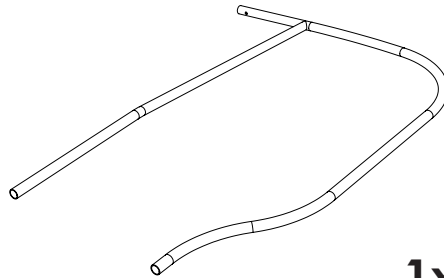




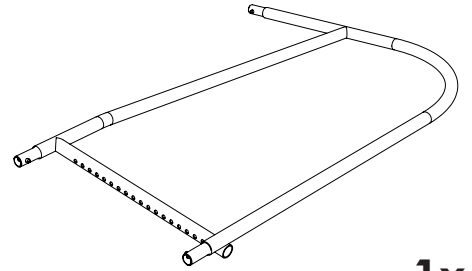
PARTS LIST



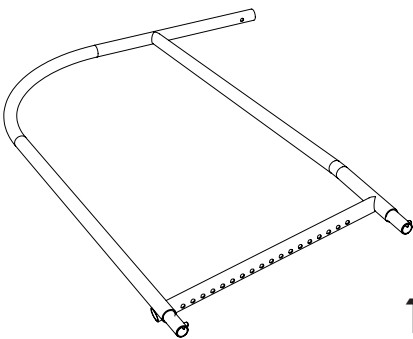
1x



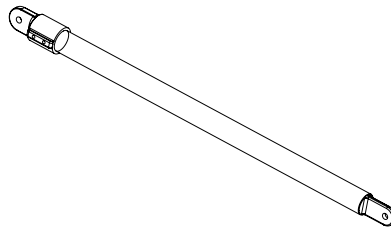
1x



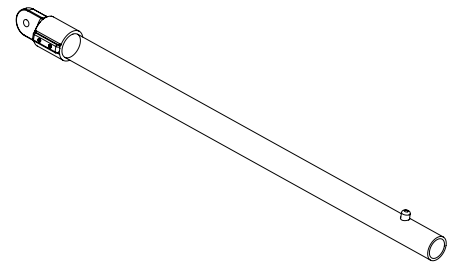
1x



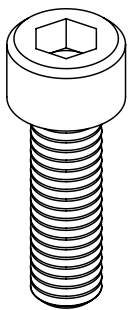
1x



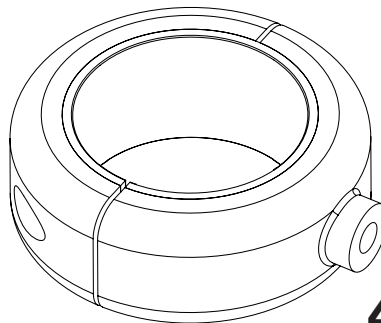
2x



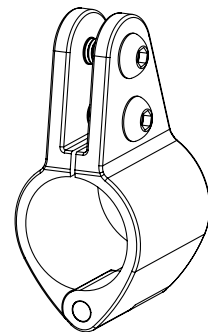
2x



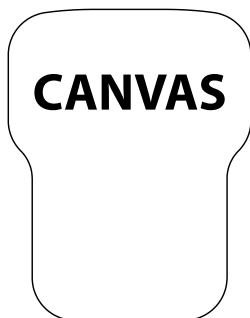
4x



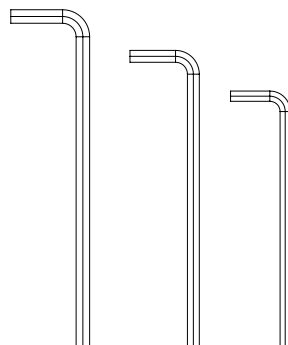
4x



2x



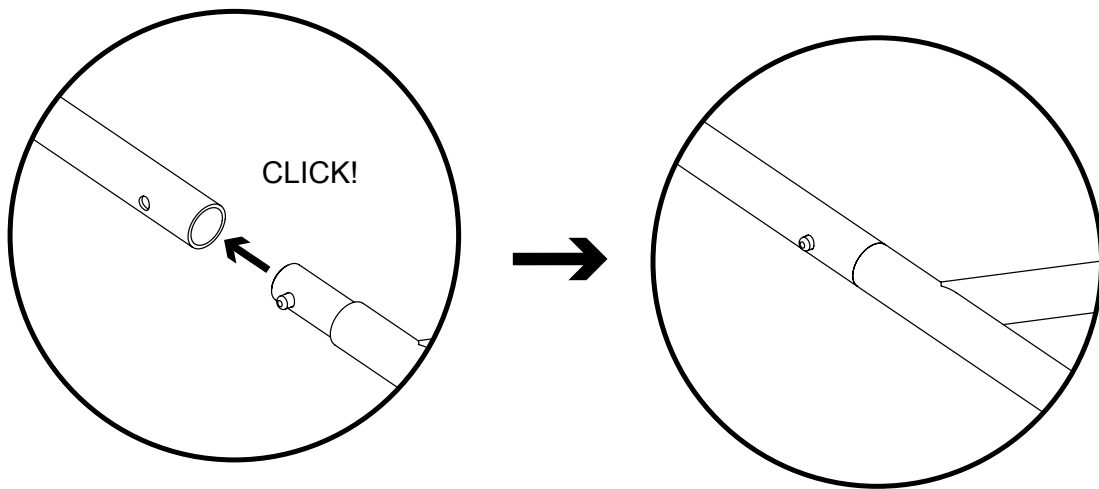
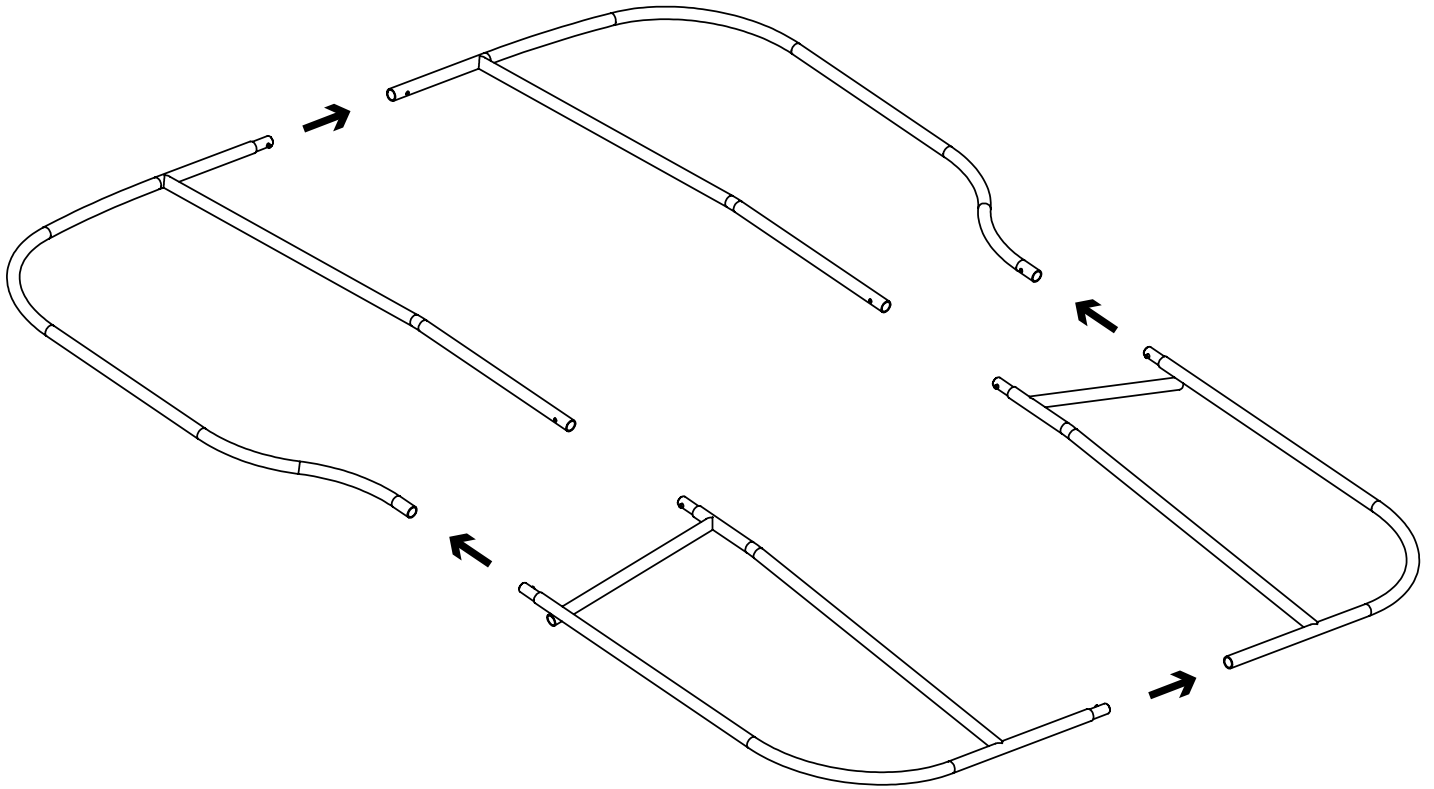
1x



1x

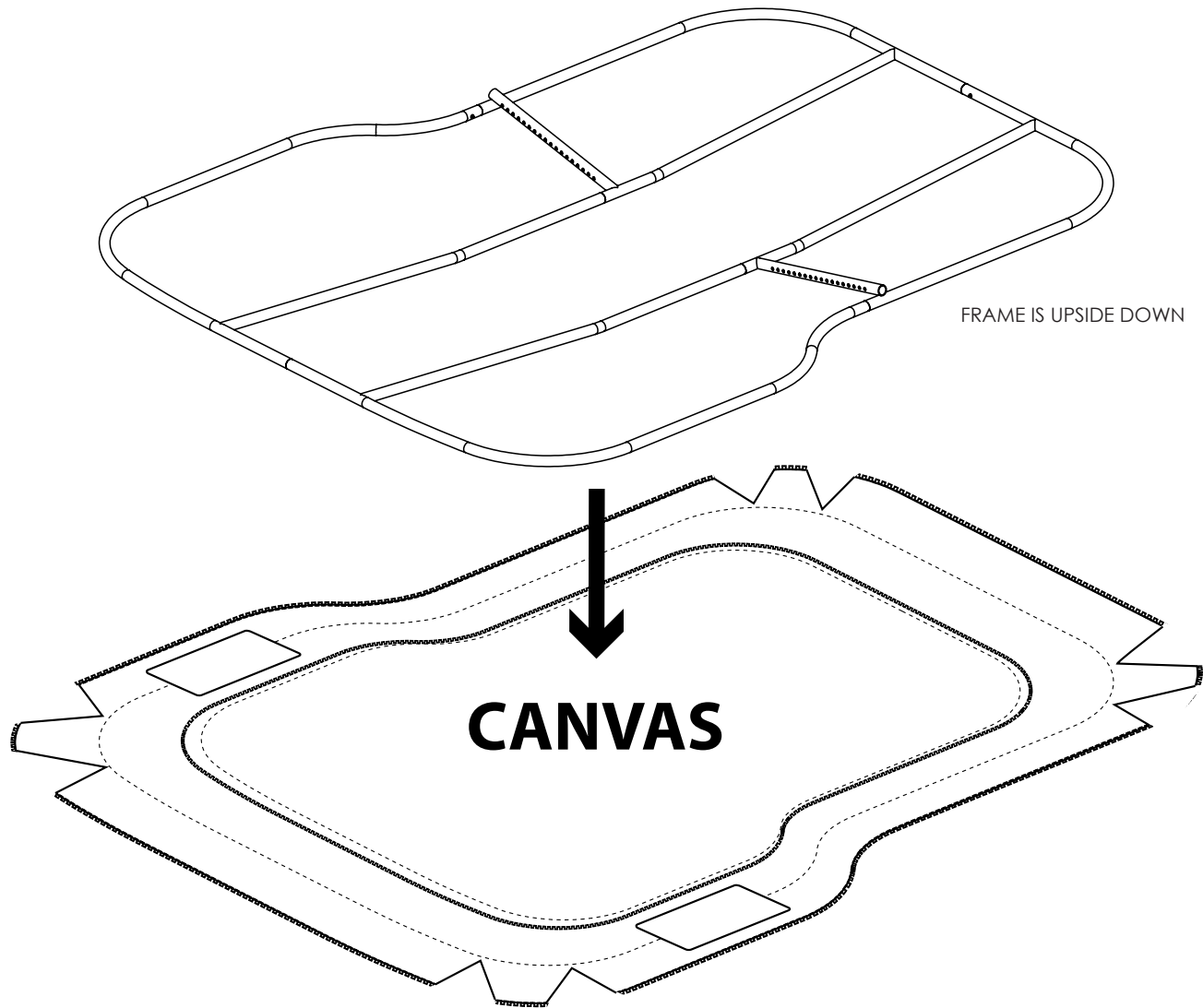


STEP 1

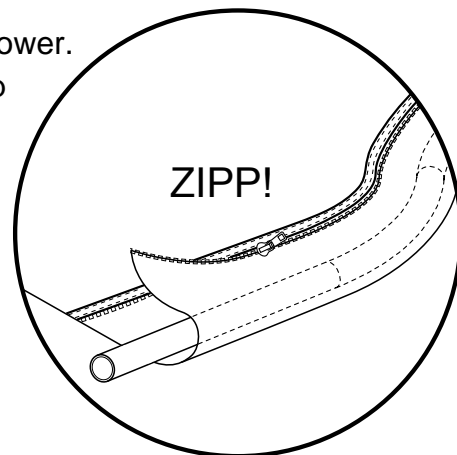




STEP 2

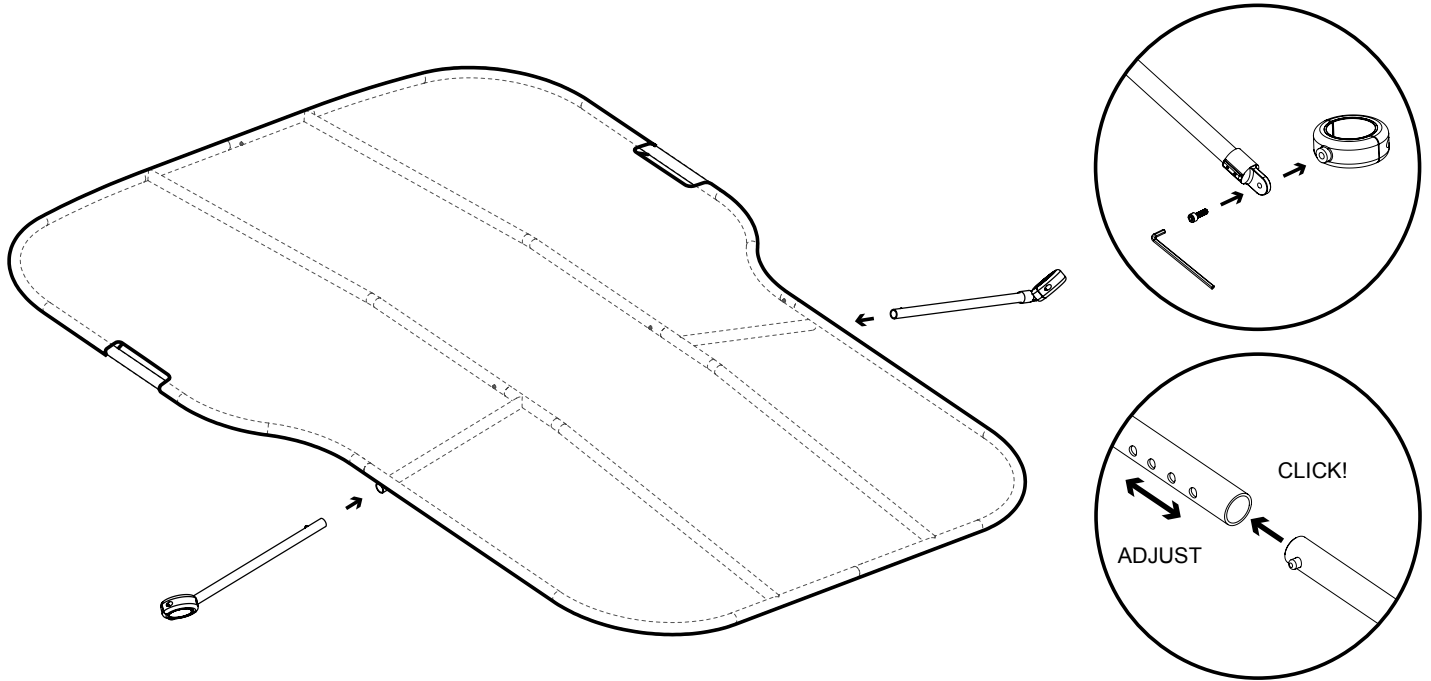


Install the canvas before mounting the frame to the tower. Lay the canvas on a tarp then place the frame on top but upside down. When done properly, the canvas will be drum tight. It is recommended that you have two people to complete this process. Rolling the edges over with your fingers will help get the zippers aligned. It's a little tricky at first, but it will fit correctly and be very snug!

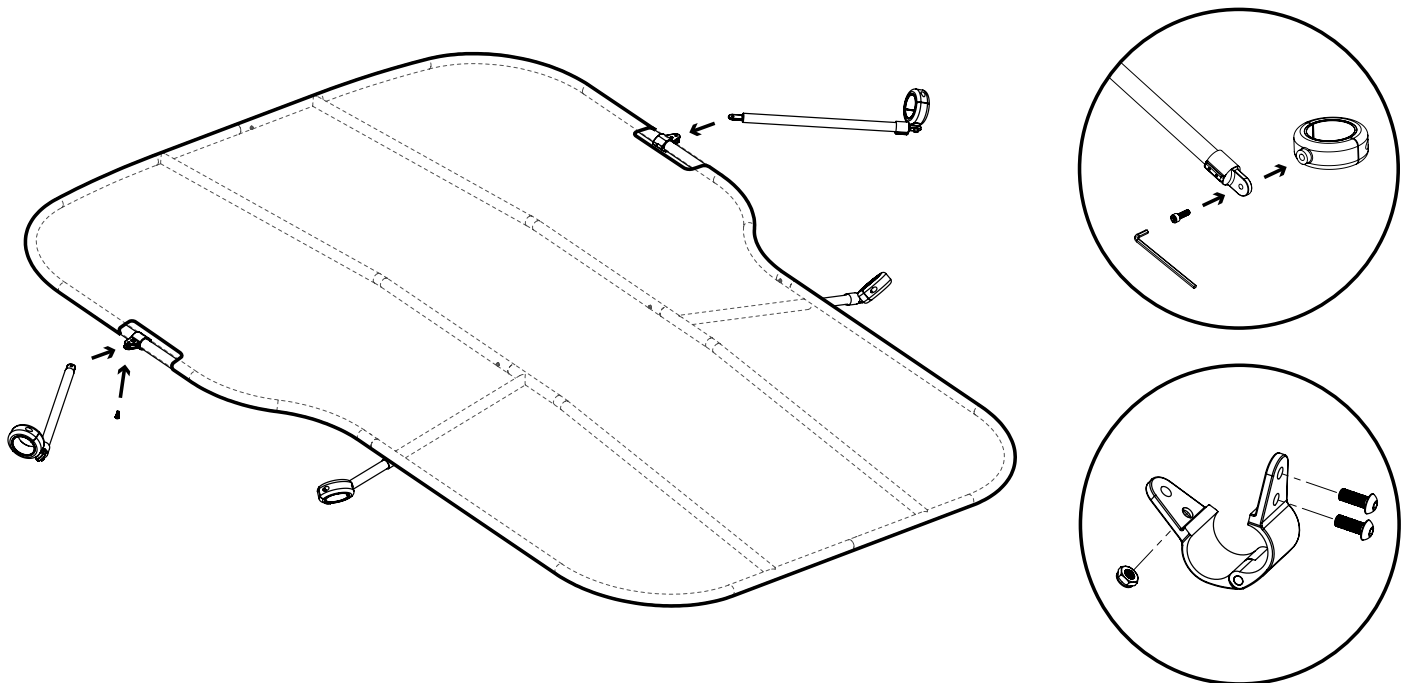




STEP 3

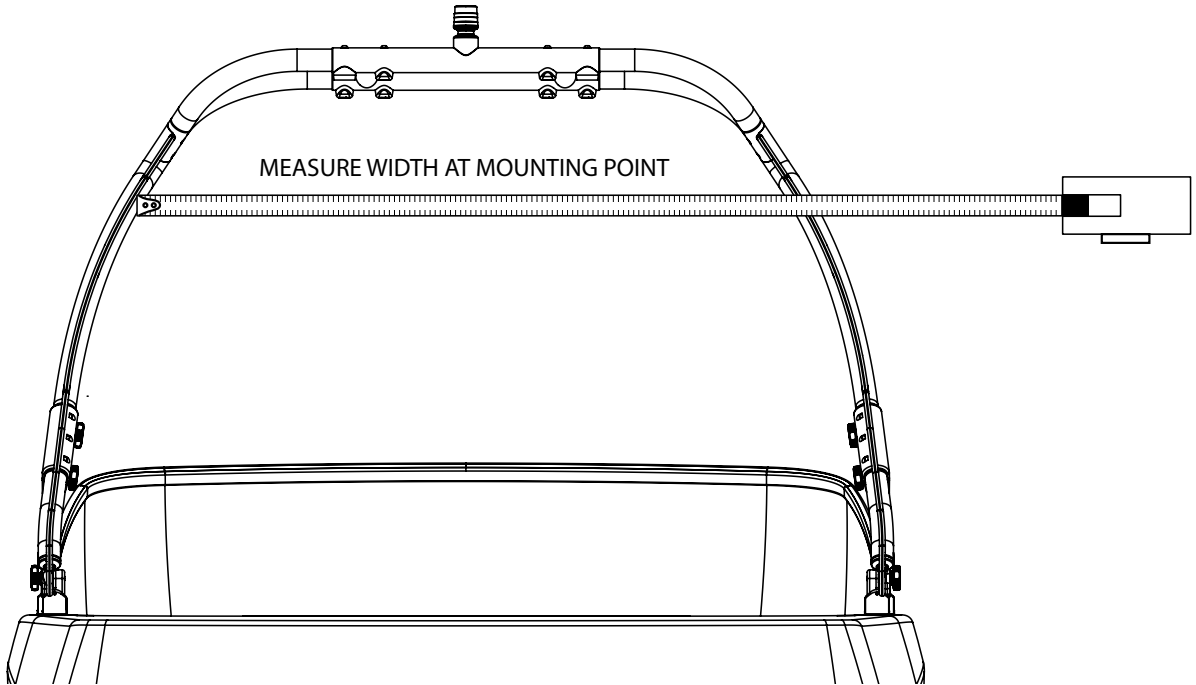


STEP 4

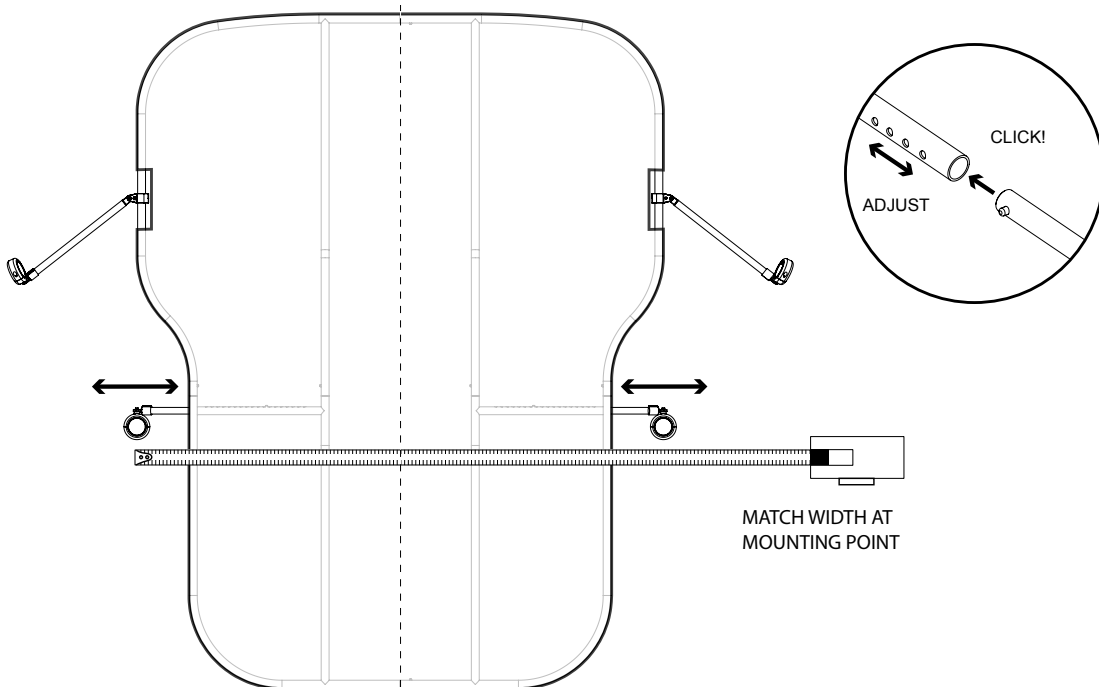




STEP 5

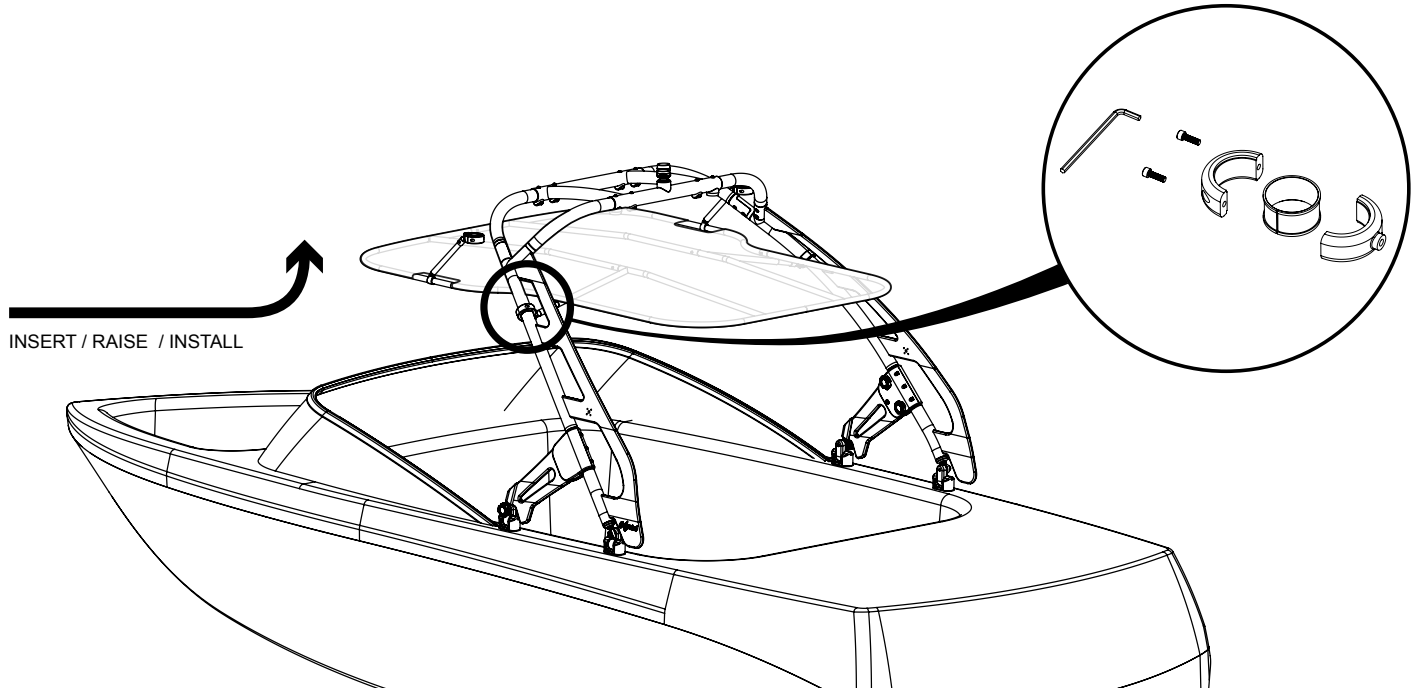


STEP 6

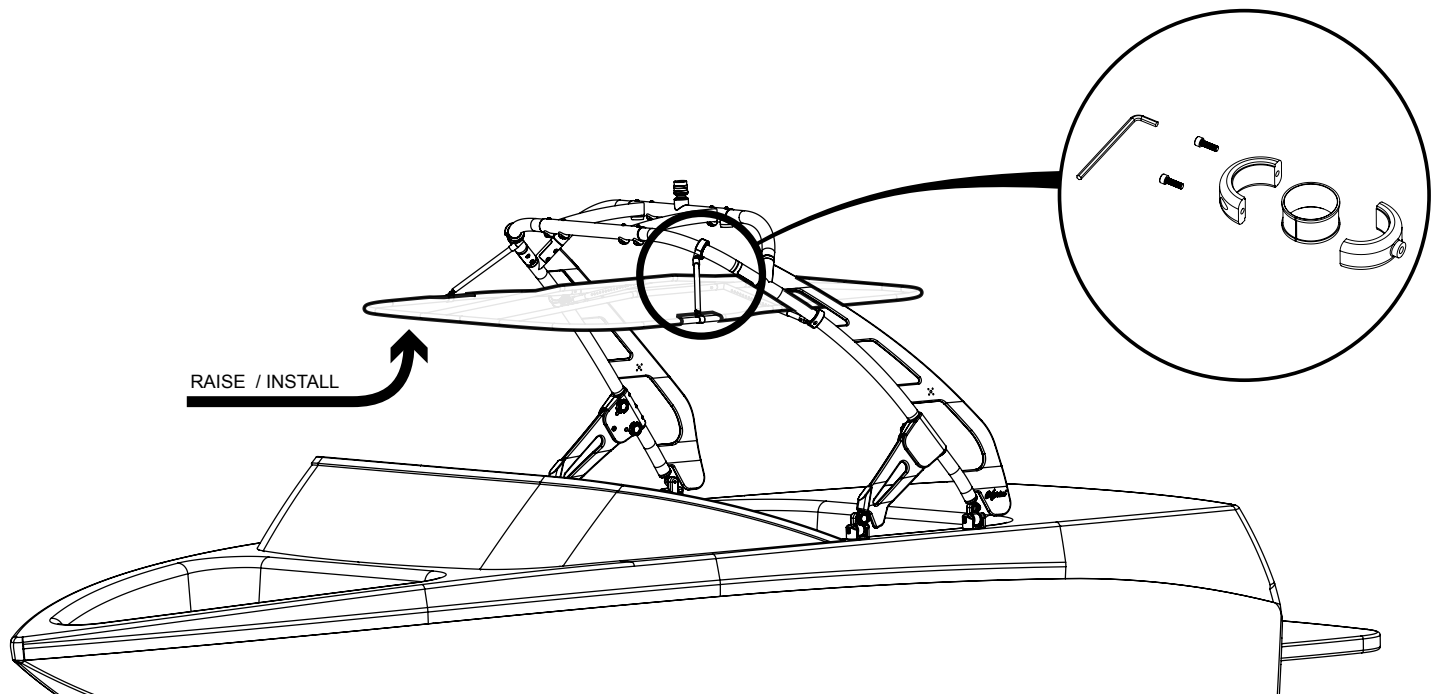




STEP 7

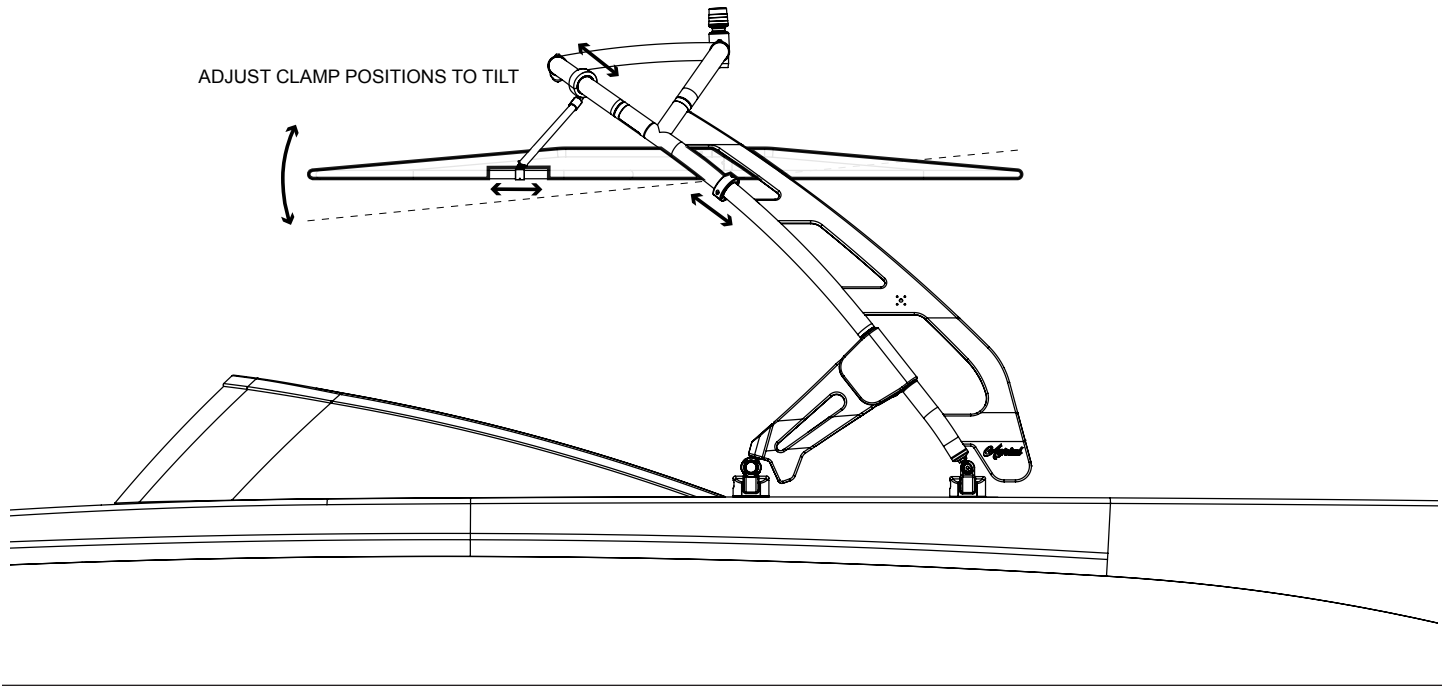


STEP 8





STEP 9



Do not trailer your boat with bimini canopy attached!
Driving speeds may cause excessive strain and failing to remove it before entering the roadways will void your warranty.



www.aerialwakeboarding.com